



# PRODUCT SPECIFICATION SHEET



The Stainless Steel Tactile Warning Studs provide essential tactile cues for visually impaired individuals, alerting them to potential hazards and ensuring safer navigation in public spaces.

## SPECIFICATIONS

PRODUCT	Stainless Steel Studs Concentric Ring Top
CODE	CHELMSSR35WS
SIZE	35 mm
TYPE	Hazard / Warning
COLOUR	Silver
BASE MATERIAL	Stainless Steel 316 Marine Grade
TOP OF STUD	Concentric Rings
DENSITY	>8.00kg/m <sup>3</sup>
TENSILE STRENGTH	Stainless Steel 316 Marine Grade
HARDNESS	95 HRB

## STANDARD COLOURS

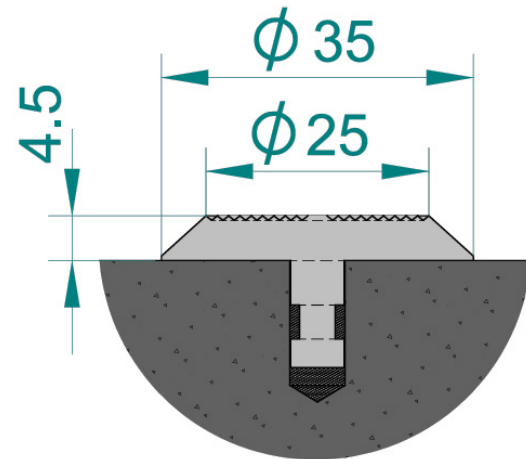


SILVER

## PROFILE



SLIVER



## HOW TO SPECIFY

Copy the product name, code, size, type and colour required for the project.

Include manufacturer: Chelmstone Pty Ltd.

Ensure they are installed in accordance with manufacturer's guidelines. Including drill and fit with adhesive or diamond core and fit with adhesive.