



# PRODUCT SPECIFICATION SHEET



Polyurethane Tactile Warning Studs are designed to improve safety and accessibility for individuals with visual impairments. Installed in walkways, crossings, stairways, and public spaces, these durable studs offer clear tactile feedback through raised, textured surfaces. Made from weather-resistant polyurethane, they provide long-lasting durability and enhanced navigation in both indoor and outdoor environments.

## SPECIFICATIONS

PRODUCT	Polyurethane Studs Self Adhesive
CODE	CHELMP345WY
SIZE	35 mm
TYPE	Hazard / Warning
COLOUR	Yellow
BASE MATERIAL	Polyurethane
TOP OF STUD	Crosshatch

## STANDARD COLOURS



BLACK

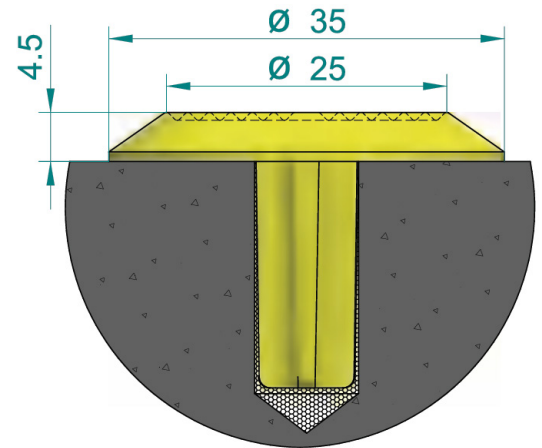


YELLOW

## PROFILE



YELLOW



## HOW TO SPECIFY

Copy the product name, code, size, type and colour required for the project.

Include manufacturer: Chelmstone Pty Ltd.

Ensure they are installed in accordance with manufacturer's guidelines. Including drill and fit with adhesive or diamond core and fit with adhesive.