



PRODUCT SPECIFICATION SHEET



The Stainless Steel Tactile Warning Studs provide essential tactile cues for visually impaired individuals, alerting them to potential hazards and ensuring safer navigation in public spaces.

SPECIFICATIONS

PRODUCT	Stainless Steel Studs Ring Top
CODE	CHELMSSR35WS
SIZE	35 mm
TYPE	Hazard / Warning
COLOUR	Silver
BASE MATERIAL	Stainless Steel 316 Marine Grade
TOP OF STUD	Concentric Rings
DENSITY	>8.00kg/m3
TENSILE STRENGTH	Stainless Steel 316 Marine Grade
HARDNESS	95 HRB

STANDARD COLOURS

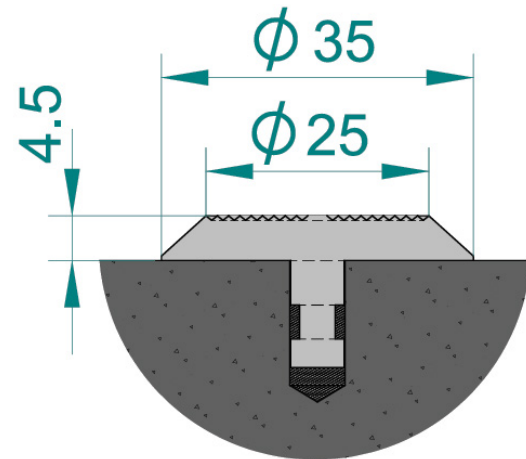


SILVER

PROFILE



SLIVER



HOW TO SPECIFY

Copy the product name, code, size, type and colour required for the project.

Include manufacturer: Chelmstone Pty Ltd.

Ensure they are installed in accordance with manufacturer's guidelines. Including drill and fit with adhesive or diamond core and fit with adhesive.